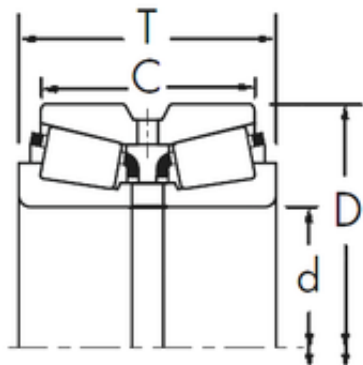




Seohan-NTK Driveshaft USA CORP.



Timken Bearing 81629/81963CD
81630/81963CD Hm237532/10CD
46790/46720CD 67780/67720CD ...

Bearing No. 81629/81963CD

Size	159.951x244.475x107.95 mm
Bore Diameter	159,951 mm
Outer Diameter	244,475 mm
Width	107,95 mm
d	159,951 mm
D	244,475 mm
T	107,95 mm
C	79,375 mm
R	3,5 mm
r	1,5 mm

81629/81963CD Bearing 2D drawings and 3D CAD models