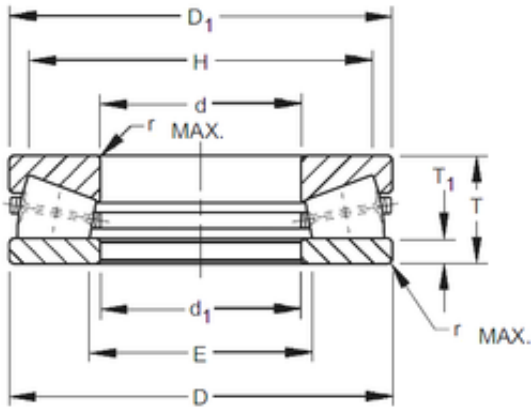




Seohan-NTK Driveshaft USA CORP.

Timken C-8091-C Tapered Roller Thrust Bearings

Bearing No. C-8091-C



C-8091-C Bearing 2D drawings and 3D CAD models

Size	279.4x603.25x136.525 mm
Bore Diameter	279,4 mm
Outer Diameter	603,25 mm
Width	136,525 mm
d	279,4 mm
D	603,25 mm
T	136,525 mm
r max	4,8 mm
T1	30,16 mm
d1	282,58 mm
D1	601,66 mm
E	317,5 mm
H	552,4 mm