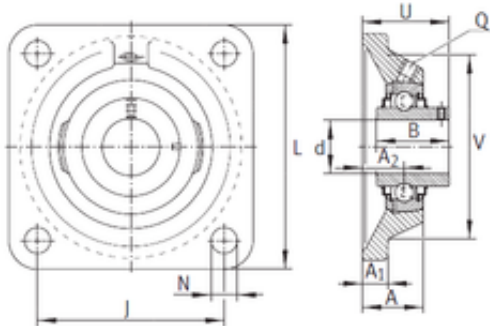




## Seohan-NTK Driveshaft USA CORP.

### INA RCJY40-N Flange-Mount Ball Bearing Units



Bearing No. RCJY40-N

|                               |                            |
|-------------------------------|----------------------------|
| Bore Diameter                 | 40 mm                      |
| d                             | 40 mm                      |
| V                             | 110 mm                     |
| U                             | 54,2 mm                    |
| Thread (Q)                    | Rp1/8                      |
| A                             | 34,5 mm                    |
| A1                            | 13 mm                      |
| B                             | 49,2 mm                    |
| J                             | 101,5 mm                   |
| L                             | 130 mm                     |
| N                             | 14 mm                      |
| A2                            | 24 mm                      |
| Weight                        | 1,93 Kg                    |
| Basic dynamic load rating (C) | 32,5 kN                    |
| Category                      | Flange Block Bearings      |
| Inventory                     | 0.0                        |
| Manufacturer Name             | SCHAEFFLER GROUP           |
| Minimum Buy Quantity          | N/A                        |
| Weight / Kilogram             | 1.93                       |
| Product Group                 | M06110                     |
| Number of Mounting Holes      | 4                          |
| Mounting Method               | Set Screw                  |
| Housing Style                 | 4 Bolt Square Flange Block |
| Rolling Element               | Ball Bearing               |
| Housing Material              | Cast Iron                  |

RCJY40-N Bearing 2D drawings and 3D CAD models



## Seohan-NTK Driveshaft USA CORP.

|                                    |  |
|------------------------------------|--|
| Expansion / Non-expansion          | Non-expansion  |
| Mounting Bolts                     | 14 Millimeter  |
| Relubricatable                     | Yes  |
| Insert Part Number                 | GYE40KRRB  |
| Seals                              | Double Land Riding Rubber Contact  |
| Housing Configuration              | 1 Piece Solid  |
| Pilot Configuration                | No Pilot   |
| Inch - Metric                      | Metric   |
| Long Description                   | 4 Bolt Square Flange Block; 40MM Bore; 144MM Bolt Circle; 101.5MM Bolt Spacing; 1 Piece Solid; Set Screw Mount; Cast Iron; Ball Bearing; 49.2MM Length Thru Bore; Relubricatable; Double Land Riding Rub |
| Other Features                     | Single Row   With Grub Screw   |
| Category                           | Flange Block   |
| UNSPSC                             | 31171501   |
| Harmonized Tariff Code             | 8483.20.40.40  |
| Noun                               | Bearing  |
| Keyword String                     | Flanged  |
| Manufacturer URL                   | <a href="http://www.ina.com">http://www.ina.com</a>  |
| Manufacturer Item Number           | RCJY40   |
| Weight / LBS                       | 4.851  |
| Cartridge Pilot Depth              | 0 Inch   0 Millimeter  |
| Bore                               | 1.575 Inch   40 Millimeter   |
| Bolt Spacing                       | 3.996 Inch   101.5 Millimeter  |
| Cartridge Pilot Diameter           | 0 Inch   0 Millimeter  |
| Nominal Bolt Circle Diameter Round | 5.7 Inch   144 Millimeter  |
| Length Thru Bore                   | 1.937 Inch   49.2 Millimeter   |



# Seohan-NTK Driveshaft USA CORP.