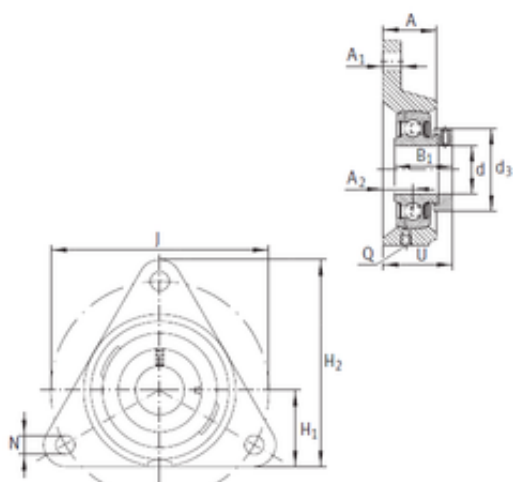




## Seohan-NTK Driveshaft USA CORP.

### INA PCFTR25 Flange-Mount Ball Bearing Units

Bearing No. PCFTR25



PCFTR25 Bearing 2D drawings and 3D CAD models

Bore Diameter	25 mm
d	25 mm
U	36 mm
Thread (Q)	Rp1/8
d3	37,5 mm
A	22 mm
A1	12 mm
B1	31 mm
H1	36 mm
H2	97 mm
J	96 mm
N	11,5 mm
A2	12,5 mm
Weight	0,71 Kg
Basic dynamic load rating (C)	14 kN
Category	Flange Block Bearings
Inventory	0.0
Manufacturer Name	SCHAEFFLER GROUP
Minimum Buy Quantity	N/A
Weight / Kilogram	0.71
EAN	4012802791037
Product Group	M06110
Number of Mounting Holes	3
Mounting Method	Eccentric Collar
Housing Style	3 Bolt Triangular Flange



## Seohan-NTK Driveshaft USA CORP.

	Block
Rolling Element	Ball Bearing
Housing Material	Cast Iron
Expansion / Non-expansion	Non-expansion
Mounting Bolts	11.5 Millimeter
Relubricatable	Yes
Insert Part Number	GRAE25NPPB
Seals	Double Lip Contact
Housing Configuration	1 Piece Solid
Pilot Configuration	No Pilot
Inch - Metric	Metric
Long Description	3 Bolt Triangular Flange Block; 25MM Bore; 96MM Bolt Circle; 84.9MM Bolt Spacing; 1 Piece Solid; Eccentric Collar Mount; Cast Iron; Ball Bearing; 31MM Length Thru Bore; Relubricatable; Double Lip Cont
Other Features	Single Row   With Set Screw
Category	Flange Block
UNSPSC	31171501
Harmonized Tariff Code	8483.20.40.40
Noun	Bearing
Keyword String	Flanged
Manufacturer URL	<a href="http://www.ina.com">http://www.ina.com</a>
Manufacturer Item Number	PCFTR25
Weight / LBS	1.565
Bolt Spacing	3.3 Inch   84.9 Millimeter
Nominal Bolt Circle Diameter Round	3.8 Inch   96 Millimeter
Bore	0.984 Inch   25 Millimeter
Cartridge Pilot Depth	0 Inch   0 Millimeter
Cartridge Pilot Diameter	0 Inch   0 Millimeter



## Seohan-NTK Driveshaft USA CORP.

Length Thru Bore	1.22 Inch   31 Millimeter
------------------	---------------------------