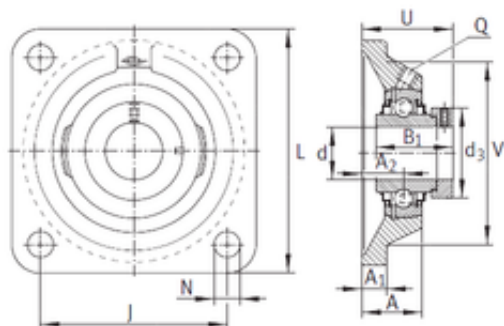




Seohan-NTK Driveshaft USA CORP.

INA RCJ80 Flange-Mount Ball Bearing Units



Bearing No. RCJ80

Bore Diameter	80 mm
d	80 mm
V	180 mm
U	88,9 mm
Thread (Q)	Rp1/8
d3	108 mm
A	55,8 mm
A1	20 mm
B1	70,7 mm
J	153 mm
L	197 mm
N	23 mm
A2	41,3 mm
Weight	6,85 Kg
Basic dynamic load rating (C)	72 kN
Category	Flange Block Bearings
Inventory	0.0
Manufacturer Name	SCHAEFFLER GROUP
Minimum Buy Quantity	N/A
Weight / Kilogram	7.616
EAN	4012802792058
Product Group	M06110
Number of Mounting Holes	4
Mounting Method	Eccentric Collar
Housing Style	4 Bolt Square Flange Block
Rolling Element	Ball Bearing

RCJ80 Bearing 2D drawings and 3D CAD models



Seohan-NTK Driveshaft USA CORP.

Housing Material	Cast Iron
Expansion / Non-expansion	Non-expansion
Mounting Bolts	23 Millimeter
Relubricatable	Yes
Insert Part Number	GE80KRRB
Seals	Double Land Riding Rubber Contact
Housing Configuration	1 Piece Solid
Pilot Configuration	No Pilot
Inch - Metric	Metric
Long Description	4 Bolt Square Flange Block; 80MM Bore; 215MM Bolt Circle; 153MM Bolt Spacing; 1 Piece Solid; Eccentric Collar Mount; Cast Iron; Ball Bearing; 71MM Length Thru Bore; Relubricatable; Double Land Riding
Other Features	Single Row With Set Screw
Category	Flange Block
UNSPSC	31171501
Harmonized Tariff Code	8483.20.40.40
Noun	Bearing
Keyword String	Flanged
Manufacturer URL	http://www.ina.com
Manufacturer Item Number	RCJ80
Weight / LBS	13.01
Bolt Spacing	6.024 Inch 153 Millimeter
Length Thru Bore	2.795 Inch 71 Millimeter
Nominal Bolt Circle Diameter Round	8.5 Inch 215 Millimeter
Bore	3.15 Inch 80 Millimeter
Cartridge Pilot Depth	0 Inch 0 Millimeter
Cartridge Pilot Diameter	0 Inch 0 Millimeter



Seohan-NTK Driveshaft USA CORP.