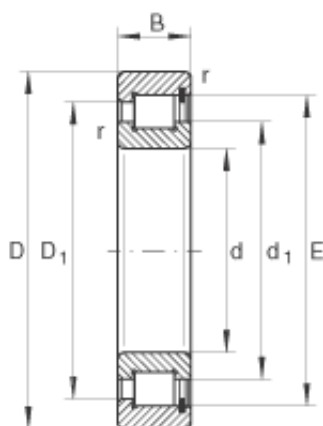




Seohan-NTK Driveshaft USA CORP.



130 mm x 180 mm x 30 mm INA SL182926 Cylindrical Roller Bearings

Bearing No. SL182926

SL182926 Bearing 2D drawings and 3D CAD models

Size	130x180x30 mm
Bore Diameter	130 mm
Outer Diameter	180 mm
Width	30 mm
d	130 mm
D	180 mm
B	30 mm
D ₁	161,1 mm
d ₁	146 mm
E	167,15 mm
r _{min}	1,5 mm
s	2 mm / Axial displacement
m	2,33 kg / Weight
C _r	238000 N / Dynamic load rating (radial)
C _{0r}	350000 N / Static load rating (radial)
C _{ur}	54000 N / Fatigue limit load, radial
n _G	2110 1/min / Limiting speed
Category	Cylindrical Roller Bearings
Inventory	0.0
Manufacturer Name	SCHAEFFLER GROUP
Minimum Buy Quantity	N/A
Weight / Kilogram	2.263
EAN	4047643140010



Seohan-NTK Driveshaft USA CORP.

Product Group	B04144
Bore Profile	Straight
Cage Material	None
Precision Class	RBEC 1 ISO P0
Number of Rows of Rollers	Single Row
Separable	No
Rolling Element	Cylindrical Roller Bearing
Profile	Complete with Outer and Inner Ring
Snap Ring	No
Internal Clearance	C0-Medium
Retainer	No
Relubricatable	Yes
Inch - Metric	Metric
Other Features	Full Complement 2 Rib Inner Ring 1 Rib Outer Ring with Retaining Ring Operating Temperature From -30 to 120 Deg
Long Description	130MM Bore; Straight Bore Profile; 180MM Outside Diameter; 30MM Width; RBEC 1 ISO P0; Single Row; Not Separable; No Snap Ring; Relubricatable; C0-Medium Internal Clearance; No Retainer
Category	Cylindrical Roller Bearing
UNSPSC	31171547
Harmonized Tariff Code	8482.50.00.00
Noun	Bearing
Manufacturer URL	http://www.ina.com
Manufacturer Item Number	SL182926
Weight / LBS	6.125
Bore	5.118 Inch 130 Millimeter
Outside Diameter	7.087 Inch 180 Millimeter



Seohan-NTK Driveshaft USA CORP.

Width	1.181 Inch 30 Millimeter
-------	----------------------------