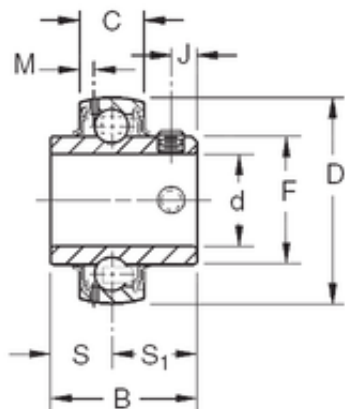




Seohan-NTK Driveshaft USA CORP.

75 mm x 130 mm x 77,8 mm Timken GYE75KRRB Ball Insert Bearings



Bearing No. GYE75KRRB

Size	75x130x77.8 mm
Bore Diameter	75 mm
Outer Diameter	130 mm
Width	77,8 mm
d	75 mm
D	130 mm
B	77,8 mm
C	29 mm
S1	44,45 mm
F	91,92 mm
J	12 mm
M	5,56 mm
S	33,32 mm
Thread (G)	M12X1,75
Basic dynamic load rating (C)	69,5 kN

GYE75KRRB Bearing 2D drawings and 3D CAD models